

GM SERIES MILITARY-STYLE GRIPS

GENERAL INFORMATION

KEY FEATURES

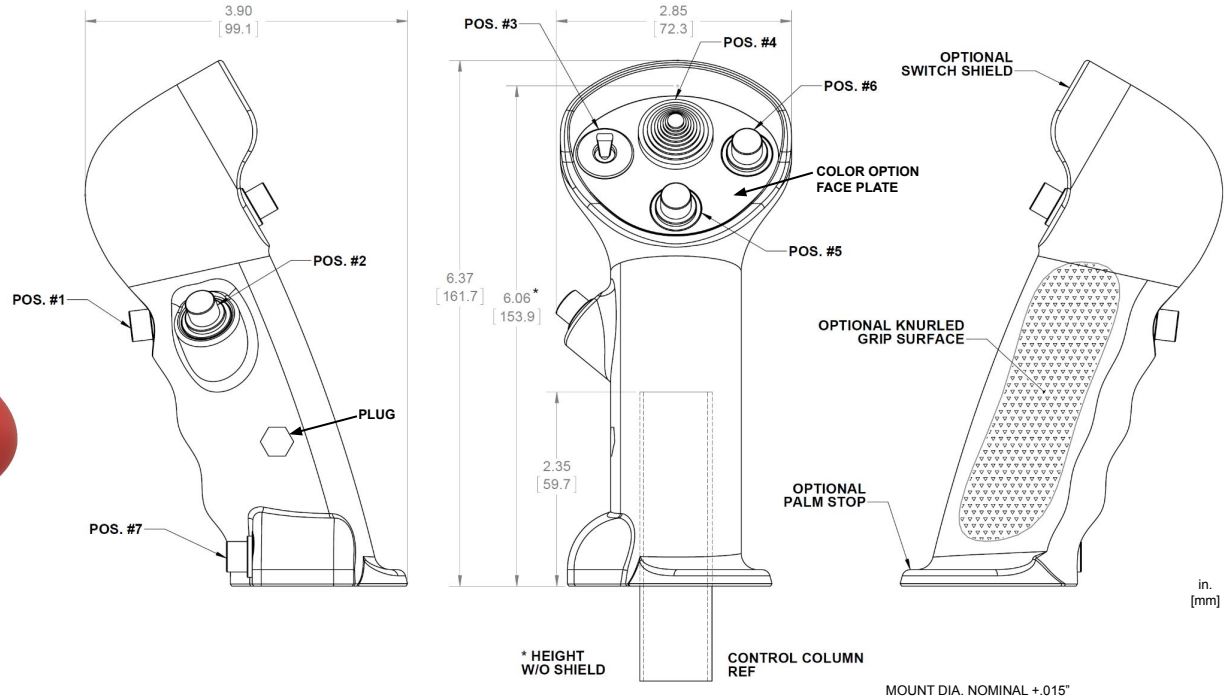
- 3D Printed PETG polymer in many colors
- Chemical and UV resistant
- 0-7 Switch positions available
- Black or red MIL-spec button switches
- Heavy-duty HAT switch
- Flap (up-on, down momentary) or trim (up/down-momentary) toggle switches
- Ergonomic design
- No visible fasteners when installed, spare plug included
- Multiple column mount diameters
- Left or right hand
- Pre-wired with 24" (60 cm) 22 AWG PTFE routed through control column center

OPTIONS

- Switch shield
- Palm stop
- Knurled grip surface



GM11351217RBPSK-AB
PICTURED



RIGHT HAND SHOWN
LEFT HAND OPPOSITE

GM SERIES MILITARY-STYLE GRIPS

PART NUMBERING

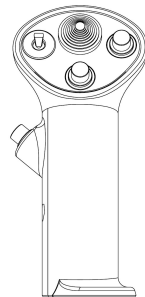
GM	X	X	X	X	X	X	X	X	X	X	X ^{**}	X ^{**}	X ^{**}	-	X	X ^{**}
POSITION #1	POSITION #2	POSITION #3	POSITION #4	POSITION #5	POSITION #6	POSITION #7	MOUNT DIA.	LEFT / RIGHT	GRIP COLOR	(OPTION 1)	(OPTION 2)	(OPTION 3)	FACE PLATE COLOR	HAT COLOR		
0. None 1. Button, Black 2. Button, Red	0. None 1. Button, Black 2. Button, Red	0. None 1. Button, Black 2. Button, Red	0. None 1. Button, Black 2. Button, Red	0. None 1. Button, Black 2. Button, Red	0. None 1. Button, Black 2. Button, Red	0. None 1. Button, Black 2. Button, Red	6. 3/4" 7. 7/8" 8. 1"	L: Left R: Right	SEE COLOR TABLE	P: Palm Stop	S: Shield	K: Knurled Grip Surface	SEE COLOR TABLE	SEE COLOR TABLE		
		3. ON-OFF-(ON)* 4. (ON)-OFF-(ON)	3. ON-OFF-(ON)* 4. (ON)-OFF-(ON)	3. ON-OFF-(ON)* 4. (ON)-OFF-(ON)	3. ON-OFF-(ON)* 4. (ON)-OFF-(ON)	3. ON-OFF-(ON)* 4. (ON)-OFF-(ON)										
			5. 4-WAY HAT													

* UP-ON, DOWN-(MOMENTARY)
** MAY BE OMITTED FROM PART NUMBER IF NOT USED

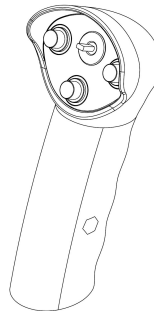
COLOR TABLE

A. Black	■
B. Red	■
C. Cherry Red	■
D. Light Gray	■
E. Gunmetal Gray	■
F. Blue	■
G. Orange	■
H. Marble	■
I. Olive Green	■
J. Yellow	■
L. Khaki	■
M. Purple	■

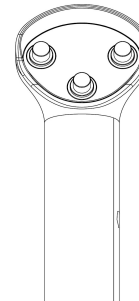
NUMBERING EXAMPLES (COLOR CODES OMITTED)



GM01351207RXP-XX



GM00141208LXS-X



GM00101206LXS-X

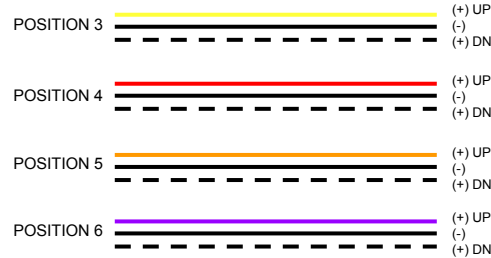
GM SERIES MILITARY-STYLE GRIPS

WIRING / SPECIFICATIONS

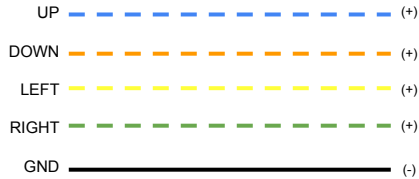
WIRING - GENERAL, BUTTON SWITCH



* TOGGLE SWITCH WIRING



** 4-WAY HAT SWITCH WIRING



MUST USE RELAY FOR
SERVOS

SPECIFICATIONS

GRIP DETAILS	
Weight	4 - 8.25 oz. (113 to 234 g)
Temperature Range	-67 to +154 °F (-55 to 68 °C)
Wiring	22 AWG unshielded M22759
BUTTON SWITCH DETAILS	
Performance Spec.	MIL-PRF-8805/3
Type	N.O. (Normally Open)
Operating Force	2.5 lb (11.12 N)
Voltage	12 VDC
Amperage	5A
TOGGLE SWITCH	
Types	ON-OFF-(ON), (ON)-OFF-(ON)
Voltage	12 VDC
Amperage	5A
4-WAY HAT SWITCH	
Type	4-Switch N.O. (Normally Open)
Operating Force	1.4 ± .5 lb (6.0 ± 2.0 N)
Voltage	12 VDC
Amperage	5A